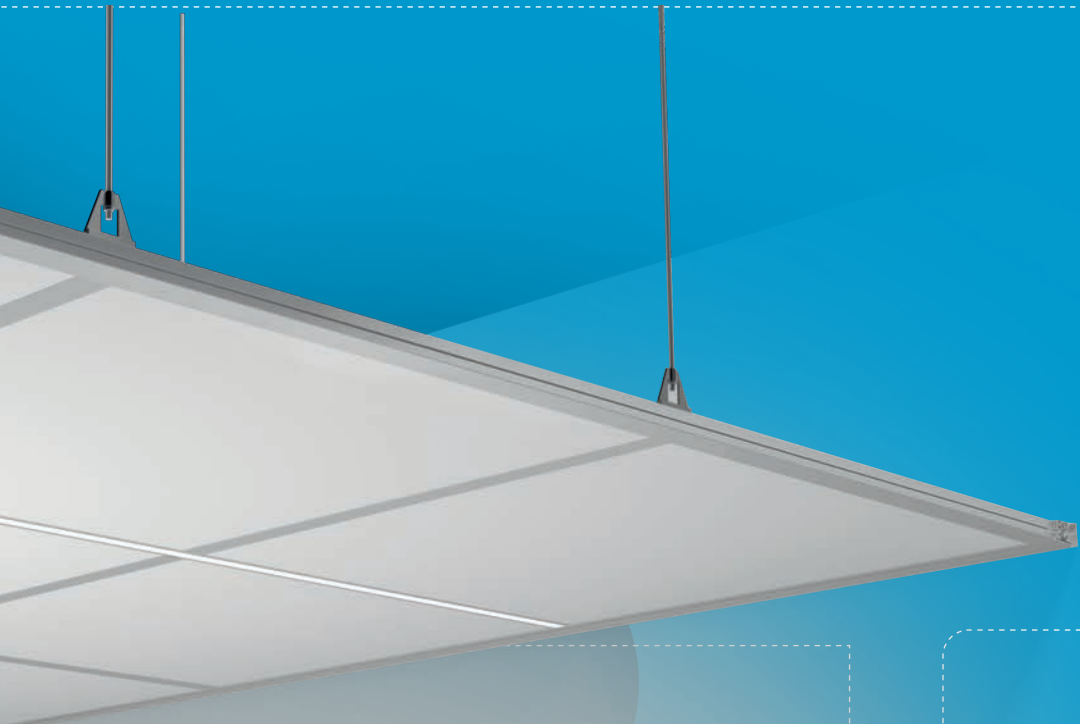


# Cleanroom Ceiling System

Pureness with a system.





# **mission pure ness.**

➤ **Ceiling System**

**04**

➤ Technical Features

06

➤ Sample Project

10

➤ Components

14

➤ Technical Information

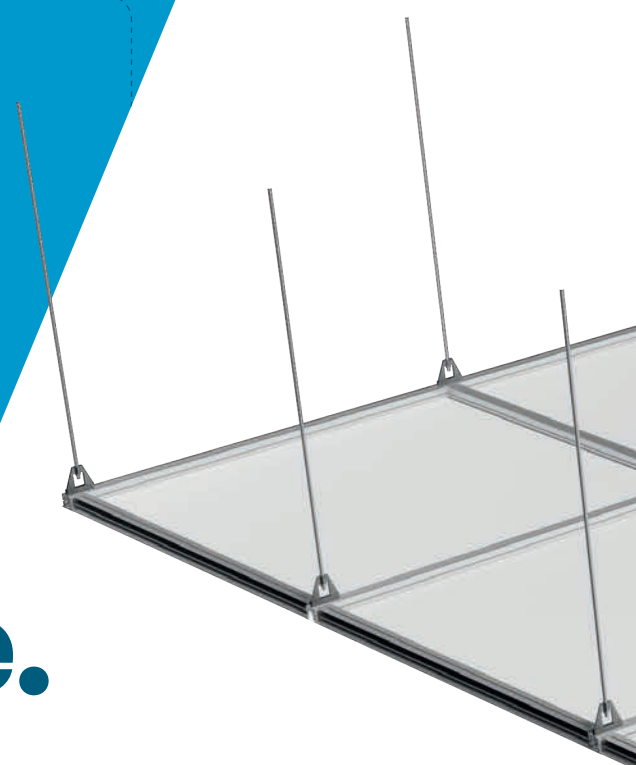
20



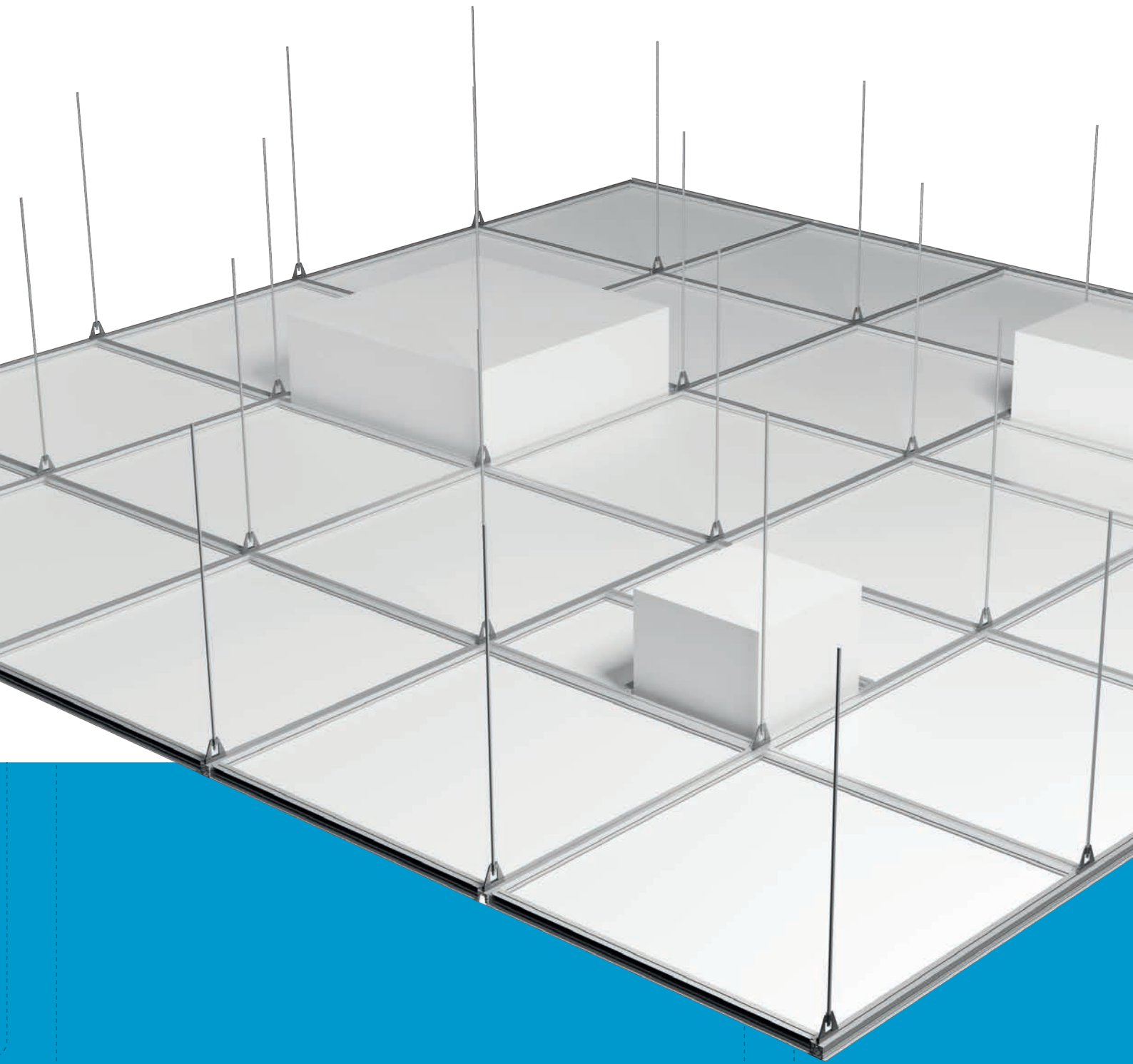
# modular. flexible. particle free.

## For electronics and semiconductors.

The innovation and production cycles of the electronics and semiconductor industry are extremely short. Not only does this create constant demand for new machinery, but also new cleanrooms. Hence, three requirements are prerequisite: modularity, flexibility, and cleanroom suitability. Guaranteed through a standardized system with many modules: reusable, expandable and quick delivery for fast conversions in pure conditions.



## ↗ Ceiling System





# ➤ Technical Features

## Ceiling system



Our ceiling systems offer an individually adjusted contamination control for all cleanroom classes. They are modularly expandable and easily fitted with lights and filters. All ceiling systems comply with the EN ISO 14644-4 cleanroom specification and are certified by the Fraunhofer institute.

### Light ceiling:

- modularly constructed grid ceiling
- light weight, quick and easy assembly

### Ceilings with 100 kg/m<sup>2</sup> single load:

- modularly constructed grid ceiling
- can be walked on for maintenance work
- machinery can be mounted to the ceiling and above the cleanroom

### Ceilings with 200 kg/m<sup>2</sup> single/point load:

- modularly constructed cassette ceilings
- can be walked on for maintenance work
- heavy machinery can be mounted to the ceiling and above the cleanroom

### Technical data

- extrusion depth and height and grid size in different versions
- anodized aluminium ceiling extrusions
- different ceiling panels, single or double

### Application areas:

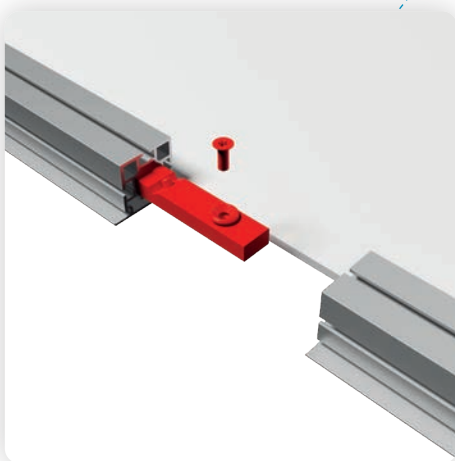
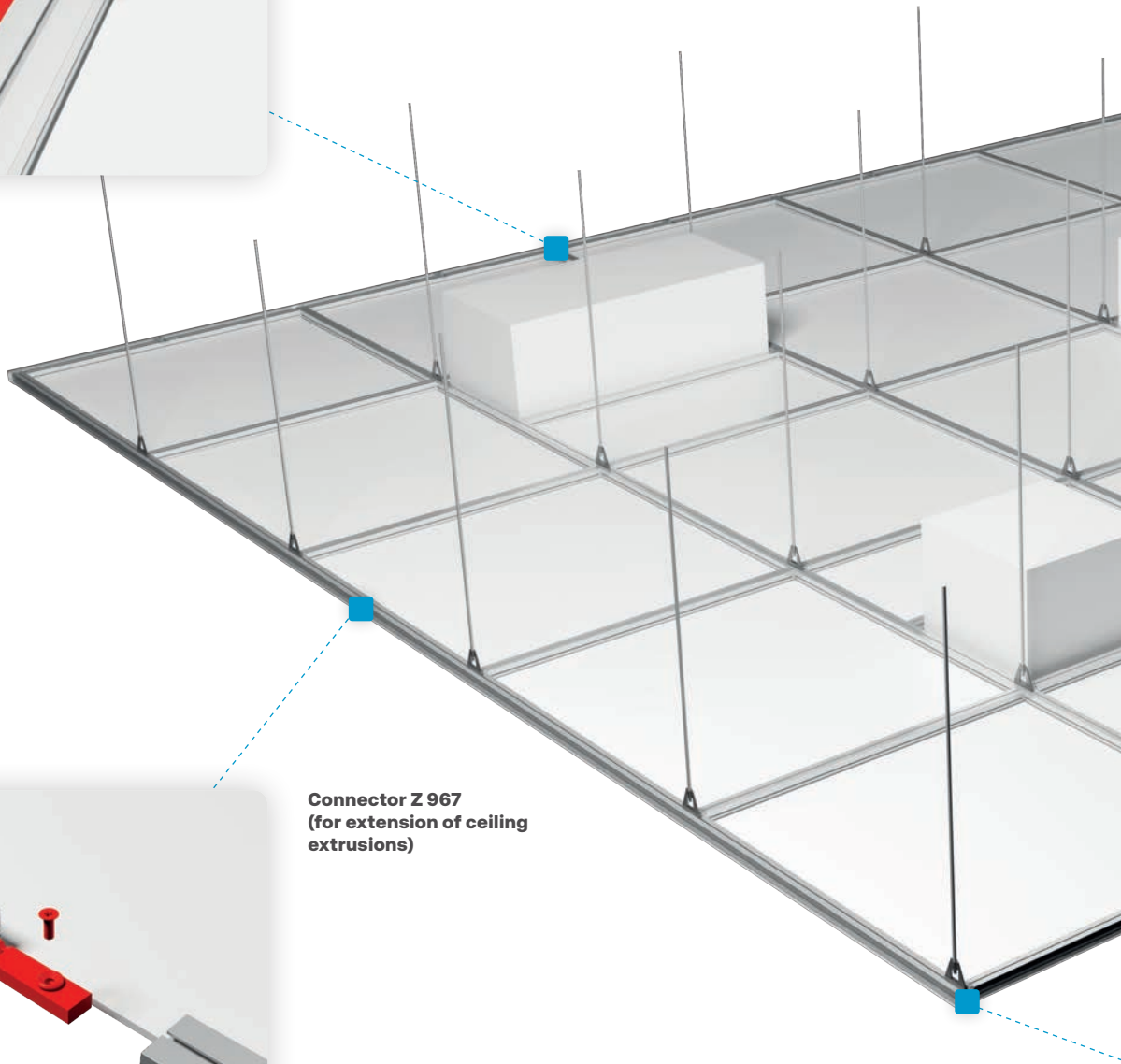
- semiconductor industry
- car industry
- microelectronics
- nanotechnology
- optics
- solar industry
- aerotechnics
- MEMS
- medical technology
- mechanical engineering





**Ceiling bracket C 670**  
(to attach the ceiling  
construction to wall on site)

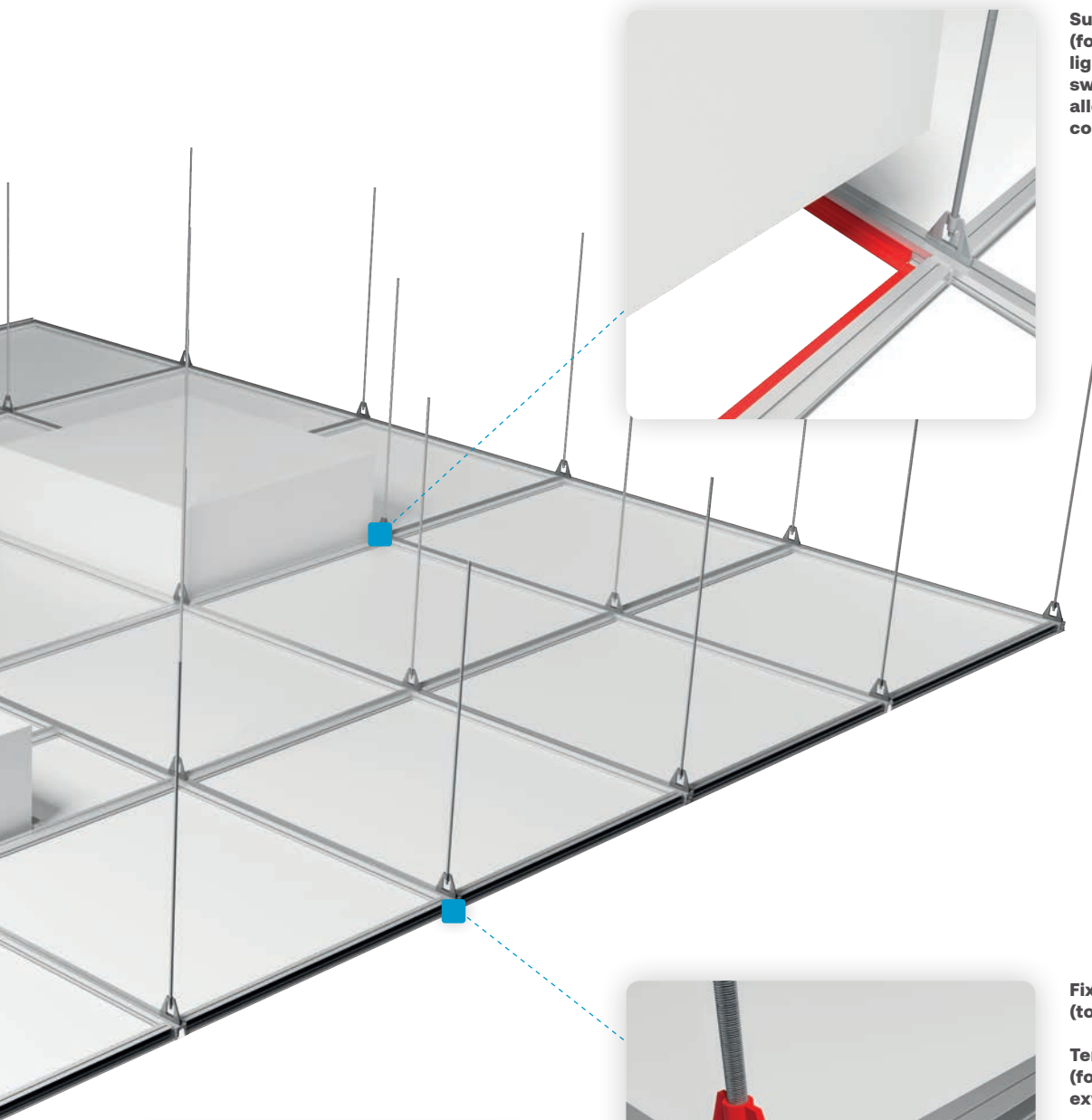
**Ceiling clamp C 675**  
(to secure ceiling extrusion to  
ceiling bracket)



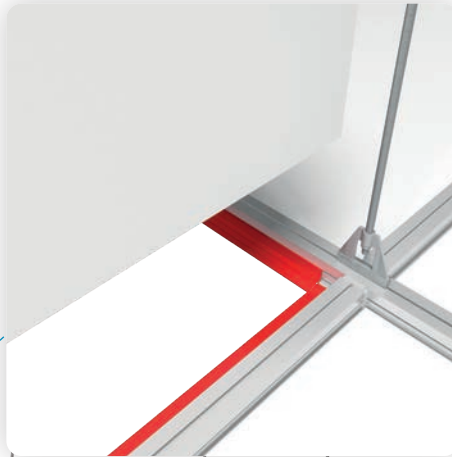
**Connector Z 967**  
(for extension of ceiling  
extrusions)

## Technical Features

### Ceiling system

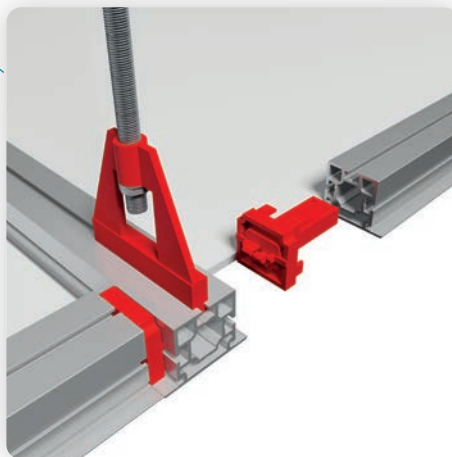


**Support extrusion C 613**  
(for installation of FFUs or  
lights on site: extrusion is  
swiveled in to groove and  
allows later revision of  
components or installations)



**Fixing set C 660**  
(to suspend ceiling extrusions)

**Tension lock set C 624**  
(for connections of ceiling  
extrusions at an angle of 90°)



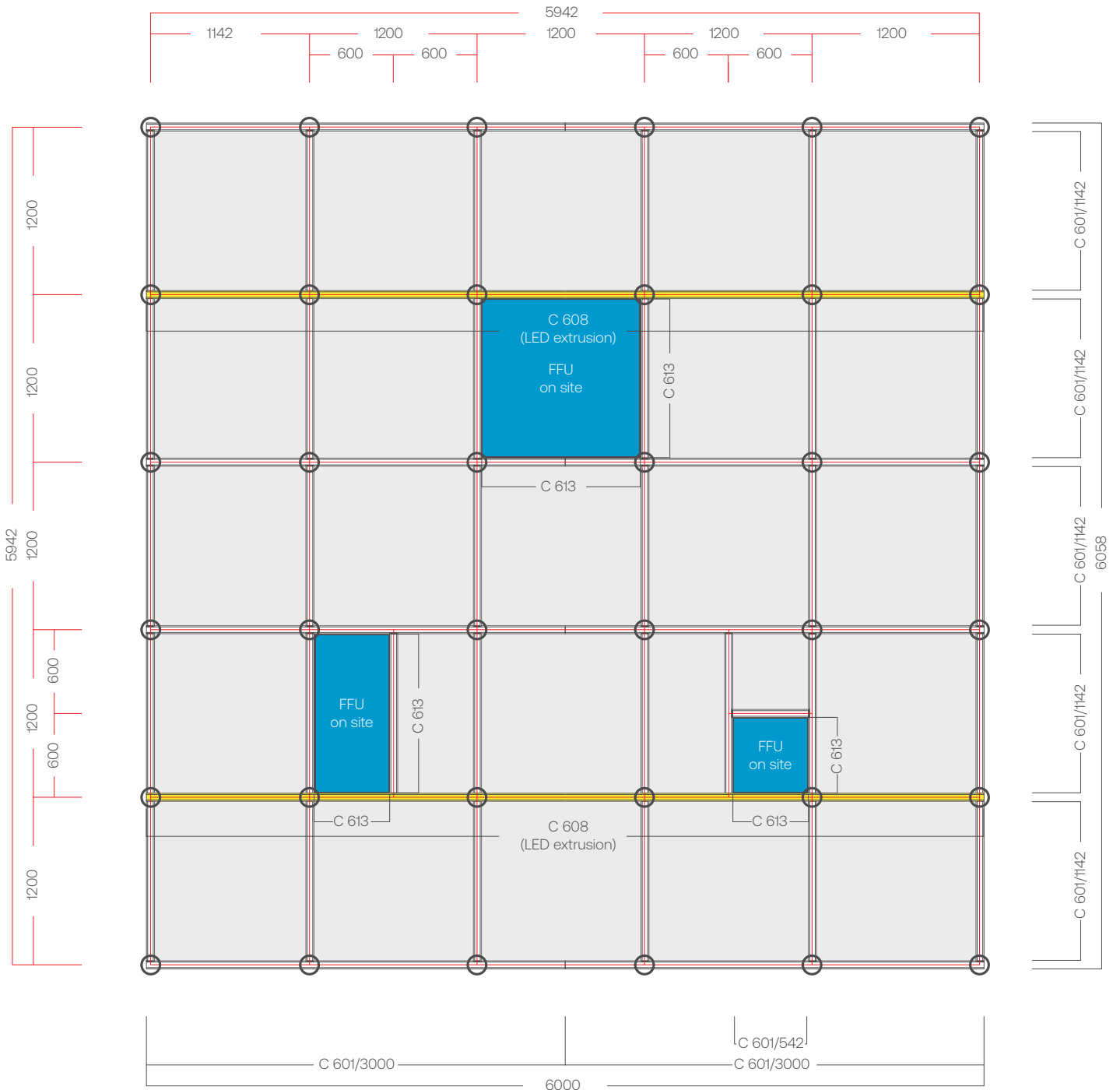
**Ceiling extrusion C 601**



## Parts list (sample ceiling 6000 × 6000 mm)

Article	Description	Quantity
C 601/3000	Ceiling extrusion 3000 mm	8
Z 967	Connector ceiling extrusion C 601/3000	4
C 601/1154	Ceiling extrusion 1154 mm incl. 2 × tension lock set C 624	32
C 601/554	Ceiling extrusion 554 mm incl. 2 × tension lock set C 624	1
C 608	Ceiling extrusion LED 6000 mm	2
C 610/1500	LED strip 1500 mm	8
C 610/C	LED fixing clip	12
C 637/2000	LED cover extrusion 2000 mm	6
OL 98/2	LED power supply	2
C 660	Fixing set	36
C 663	Thread rod M8 length 3000 mm, for fixing set C 660	36
C 613	Support extrusion 6000 mm Crop: 1142 mm Crop: 1090 mm Crop: 542 mm Crop: 490 mm	4 2 4 2
C 626-6	Panel 1152 × 1152 mm Crop: 1152 × 1094 mm Crop: 1152 × 552 mm Crop: 552 × 552 mm	17 5 2 1
C 730	Clip for panel	100
C 175-1	Gasket 8 × 1 mm length 60 m, for ceiling panel	2

### Top view (sample ceiling 6000 × 6000 mm)



- = Grid extrusions
- = Ceiling extrusion C 601
- = Fixing set C 660
- = FFU on site
- = Panel 6 mm
- = Ceiling extrusion C 608

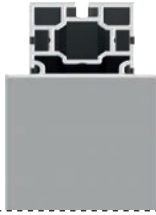


## ↗ Ceiling System





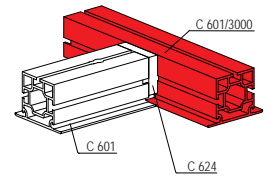
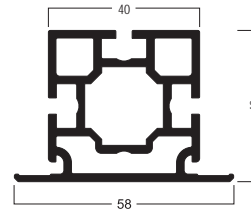
### Ceiling extrusion 3000 mm



#### C 601/3000.01

**Aluminium** | for ceiling construction with grid of 1200 × 1200, 600 × 1200 and 600 × 600 mm, 2 × drilling of connector Z 967

4.35 kg | 3000 mm



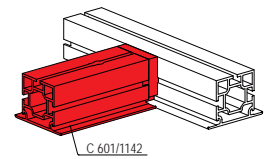
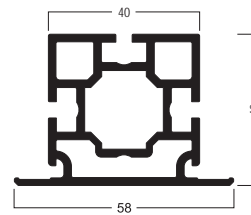
### Ceiling extrusion 1142 mm



#### C 601/1142.01

**Aluminium** | for ceiling construction with grid of 1200 × 1200 and 600 × 1200 mm, 2 × tension lock set C 624

1.78 kg | 1142 mm



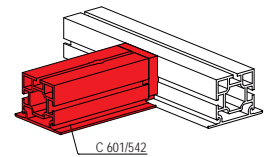
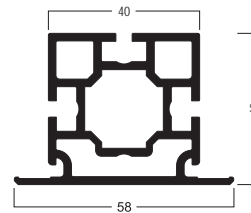
### Ceiling extrusion 542 mm



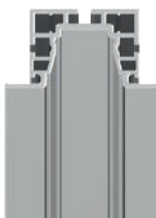
#### C 601/542.01

**Aluminium** | for ceiling construction with grid of 600 × 1200 and 600 × 600 mm, 2 × tension lock set C 624

0.21 kg | 542 mm



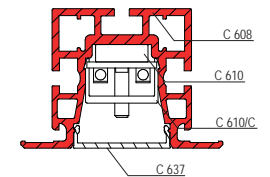
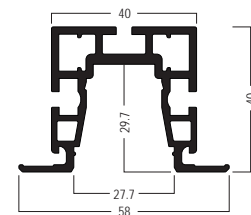
### LED ceiling extrusion 6000 mm



#### C 608.01

**Aluminium** | for ceiling construction, with opening for LED strip C 610, in combination with LED cover extrusion C 637

7.32 kg | 6000 mm



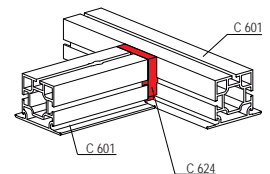
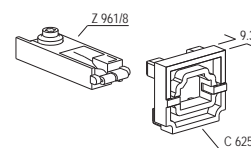
### Tension lock set for ceiling extrusion



#### C 624

**Aluminium** | for ceiling construction, tension lock Z 961/8 incl. plastic adaptor C 625 for compensation of supporting area of 9 mm of ceiling extrusion

0.06 kg



## Ceiling system

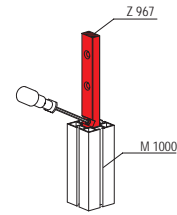
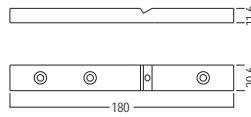
### Connector straight



#### Z 967.90

**Aluminium** | for connection of two ceiling extrusions C 601, incl. 1 × set screw Z 967/20 (M6), 2 × countersunk screw E 111/m (M6), 2 × countersunk screw M 1102/20 (M6), 2 × washer Z 18

0.13 kg



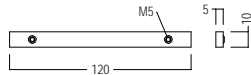
### Connector LED straight, for C 608



#### C 638.90

**Aluminium** | for connection of two LED ceiling extrusions C 608, incl. 2 × clamping screw M5

0.05 kg



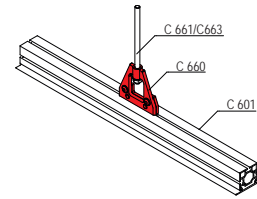
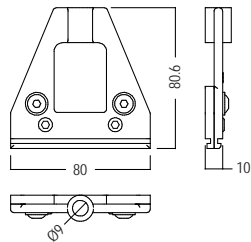
### Fixing set for system groove



#### C 660.90

**Zinc diecasting/steel** | for suspension of cleanroom ceiling with thread rod M8, consisting of part A and B, to attach to system groove 4.3 mm, incl. 2 × flange head screw M 1557/20 and 2 × set screw M 1435/7

0.23 kg



**Attention:**  
maximum load  
300 kg

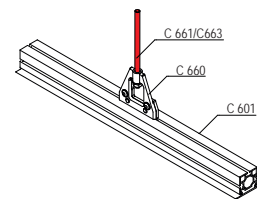
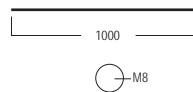
### Thread rod M8, 1000 mm



#### C 661.01

**Steel** | for mounting of fixing set to ceiling on site

0.34 kg | 1000 mm



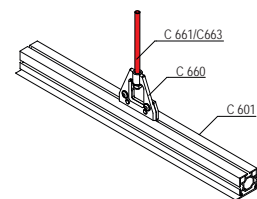
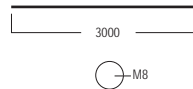
### Thread rod M8, 3000 mm



#### C 663.01

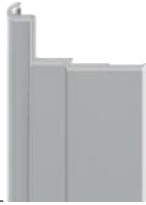
**Steel** | for mounting of fixing set to ceiling on site

0.92 kg | 3000 mm





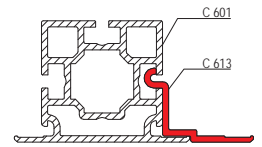
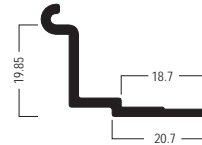
### Support extrusion wide



### C 613.01

**Aluminium** | for enlargement of supporting area of ceiling extrusions 19 mm

1.82 kg | 6000 mm



**For reversible installation of FFUs and lights**



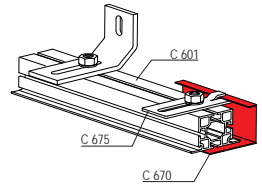
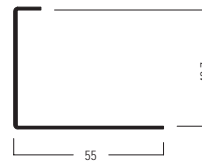
### Ceiling bracket for fixation to wall



### C 670.01

**Aluminium** | for mounting of cleanroom ceiling to wall on site in combination with ceiling clip C 675

0.56 kg | 2400 mm



**Attention: Secure the ceiling extrusion with ceiling clip C 675**



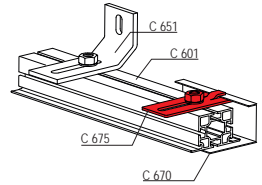
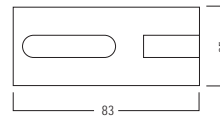
### Ceiling clip as safety device



### C 675.01

**Stahl** | to secure ceiling extrusion to ceiling bracket C 670, incl. hammerhead screw set M 1472

0.56 kg | 2400 mm



**1 piece per running meter**



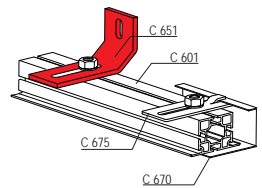
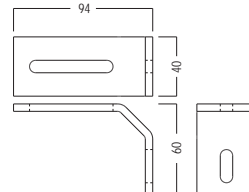
### Fixing bracket as safety device



### C 651.01

**Stahl** | to secure ceiling bracket C 670 to wall on site

0.18 kg



**1 piece per running meter**



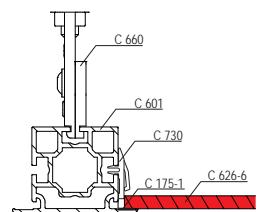
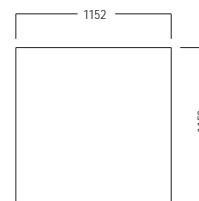
### Panel 6 mm Aluminium composite 1152 x 1152 mm



### C 826-6

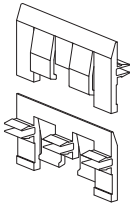
**Aluminium** | panel to use in ceiling construction with a grid of 1200 x 1200 mm

6.25 kg



## Ceiling system

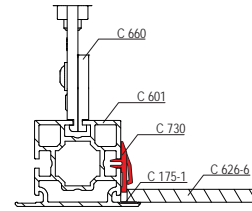
### Clip for ceiling panel C 826



### C 730

**Plastic** | for fixation of ceiling panels with a thickness of 6 mm

0.01 kg



**1**  
4 pieces  
per panel

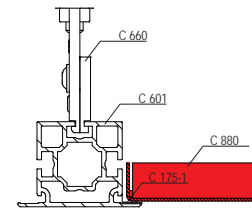
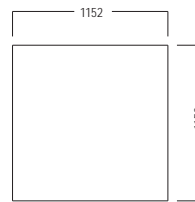
### Panel 1 mm Steel sheet 1152 × 1152 mm



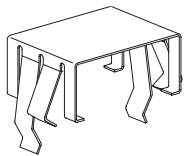
### C 880

**Steel sheet** | panel to use in ceiling construction with a grid of 1200 × 1200 mm

10.40 kg



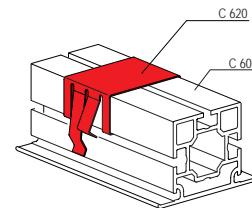
### Spring for ceiling panel C 880



### C 620

**Spring steel** | for fixation of ceiling panel C 880 and C 881 with a thickness of 1 mm

0.01 kg



**1**  
4 pieces  
per panel

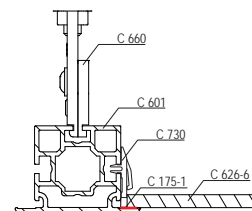
### gasket for ceiling panel



### C 175-1

**Plastic** | for sealing of gap between ceiling extrusion and ceiling panel, 1 mm PE-foam, self-adhesive

0.05 kg | 60 m × 8 mm



**1**  
installation  
afloat of panel

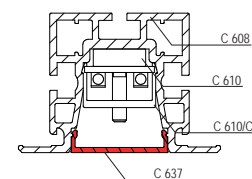
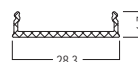
### LED cover extrusion yellow, 2000 mm



### C 637/2000-G

**Polycarbonate** | to cover the opening of LED ceiling extrusion C 608

0.18 kg | 2000 mm





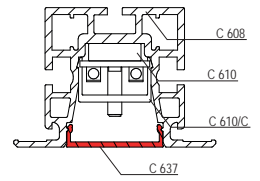
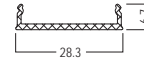
### LED cover extrusion translucent, 2000 mm



#### C 637/2000

**Polycarbonate** | to cover the opening of LED ceiling extrusion C 608

0.18 kg | 2000 mm



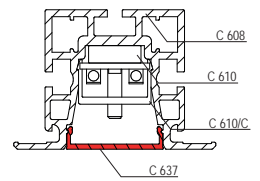
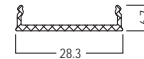
### LED cover extrusion translucent, 1500 mm



#### C 637/1500

**Polycarbonate** | to cover the opening of LED ceiling extrusion C 608

0.14 kg | 1500 mm



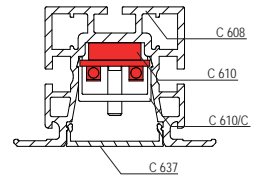
### LED strip for C 608, 900 mm



#### C 610/900

**Aluminium** | for mounting to LED ceiling extrusion C 608, incl. 3 LED boards, can be used in connection with cover extrusion C 637, 20 W, 2100 lm, 24V, DC, 4000 K

0.27 kg | 900 mm



**Attention: fixation with LED fixing clip C 610/C**

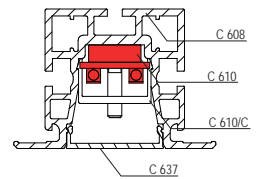
### LED strip for C 608, 1500 mm



#### C 610/1500

**Aluminium** | for mounting to LED ceiling extrusion C 608, incl. 5 LED boards, can be used in connection with cover extrusion C 637, 33 W, 3500 lm, 24V, DC, 4000 K

0.45 kg | 1500 mm



**Attention: fixation with LED fixing clip C 610/C**

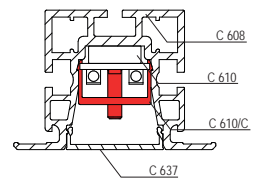
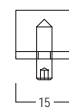
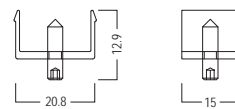
### LED fixing clip for LED strip C 610



#### C 610/C.90

**Aluminium** | for fixation of LED elements, incl. 1 x clamping screw M4, is clipped into ceiling extrusion C 608

0.01 kg

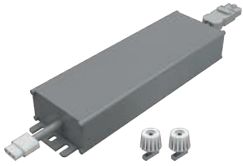


**3 pieces per LED strip**

# Components

## Ceiling system

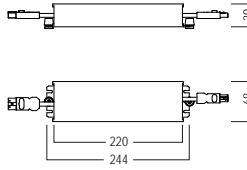
### LED power supply for LED strip C 610



### OL 98/2

**Aluminium/plastic** | input: 100-240 V AC, 50/60Hz, output: 24 V DV, 10 A, 240 W incl. plug OL 146, fixing set OL 252 and OL 144 (included)

1.22 kg



**!** Attention: max. 5 x C 610/1500 or 8 x C 610/900

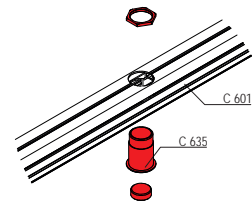
### Sprinkler sleeve with cover screw



### C 635

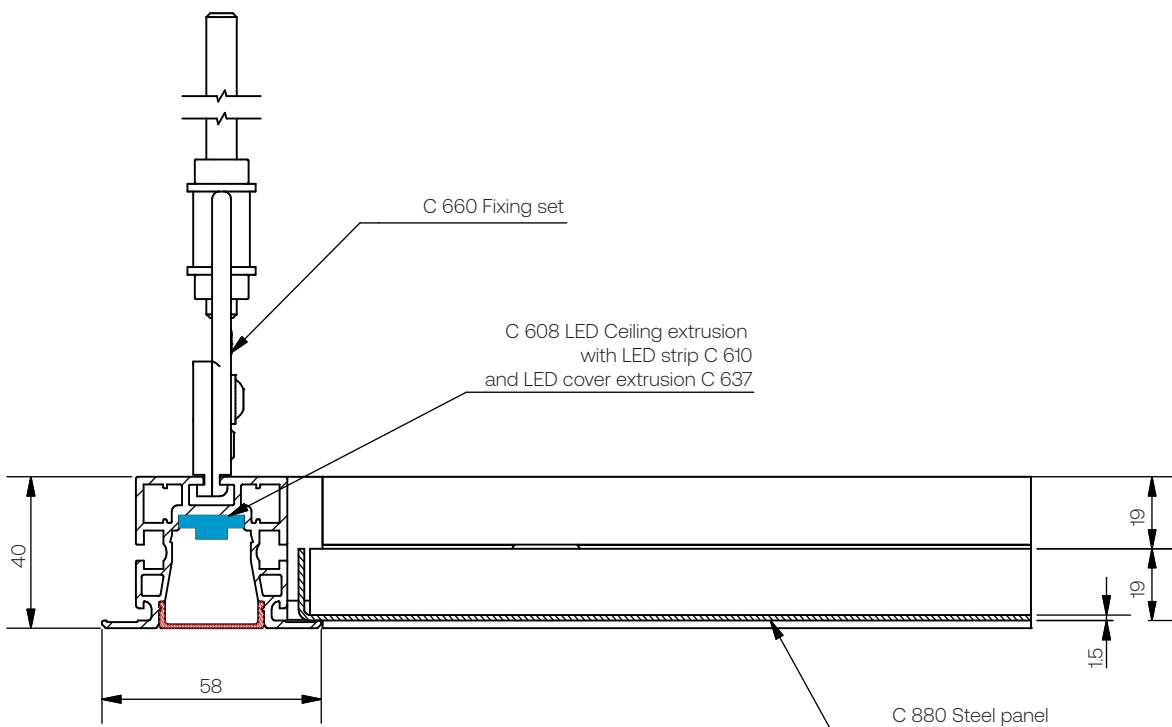
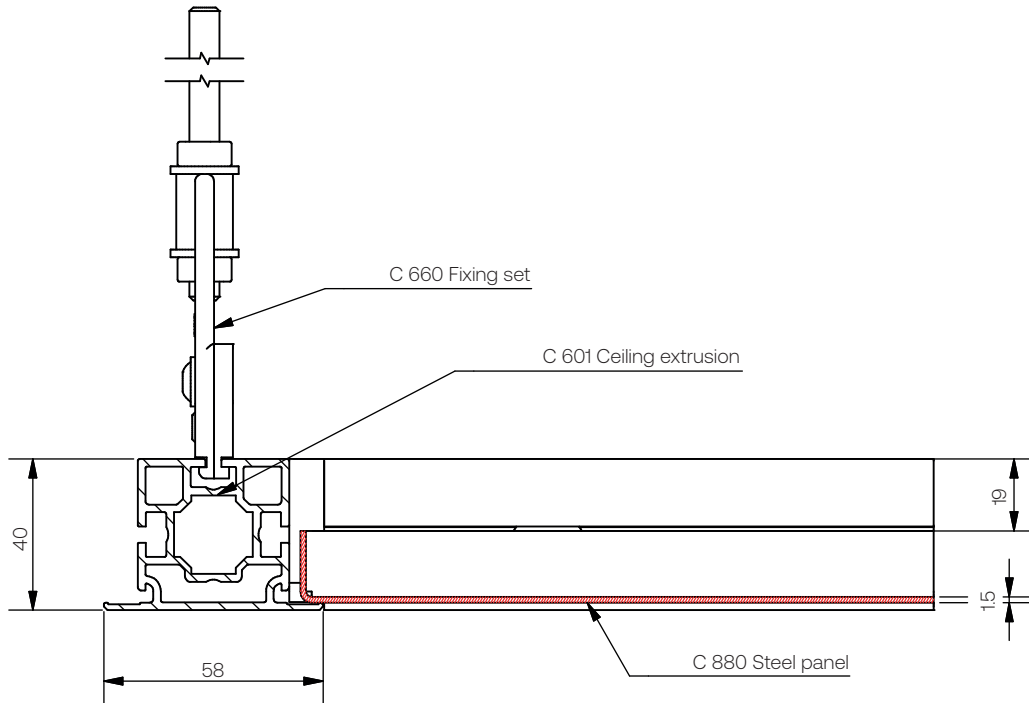
**Aluminium** | sprinkler duct for installation in ceiling extrusions, for sprinkler pipes up to 1" or 25.4 mm, outside diameter 33.5 mm, aluminum pass-through sleeve with flange for flush mounting on ceiling extrusion

0.06 kg



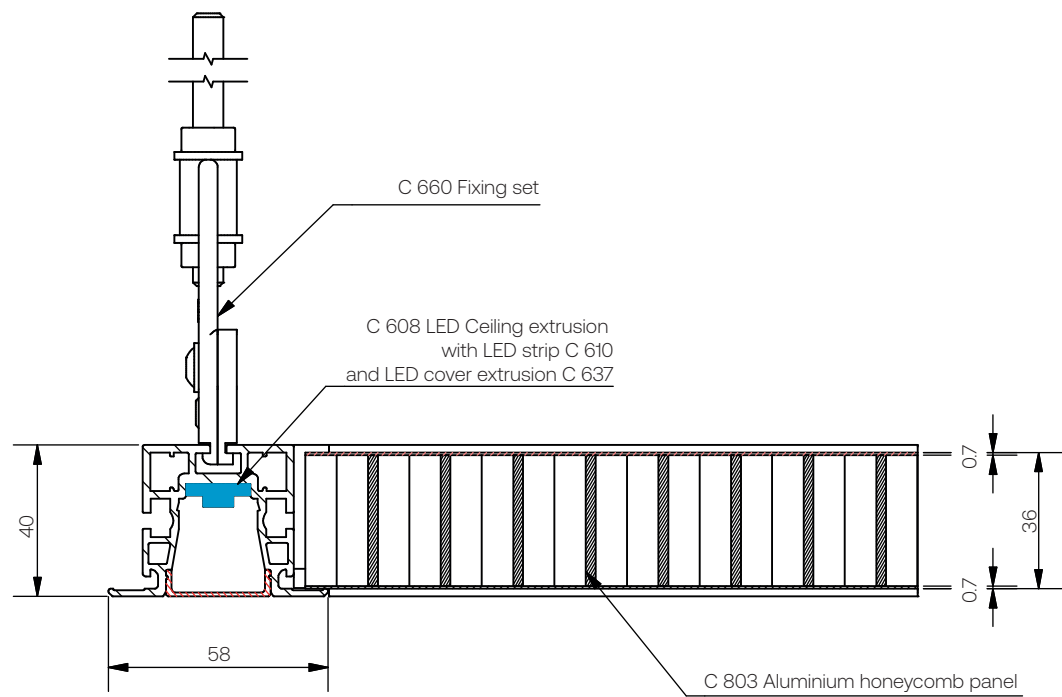
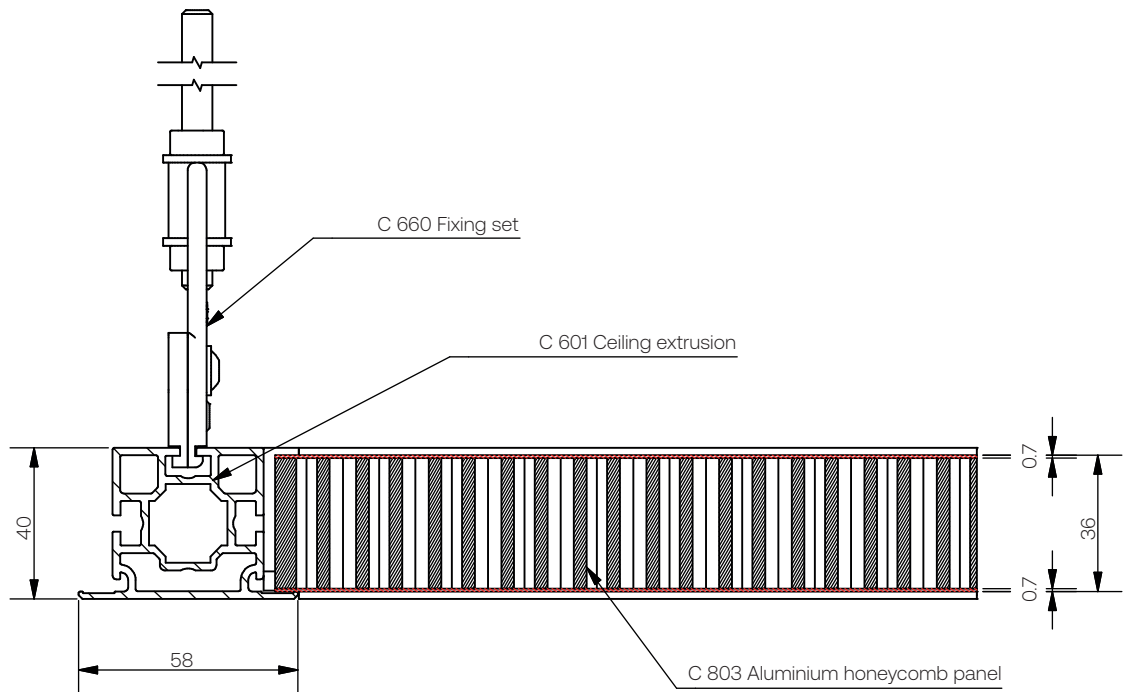


### Mounting steel panel C 880 with fixing set C 660

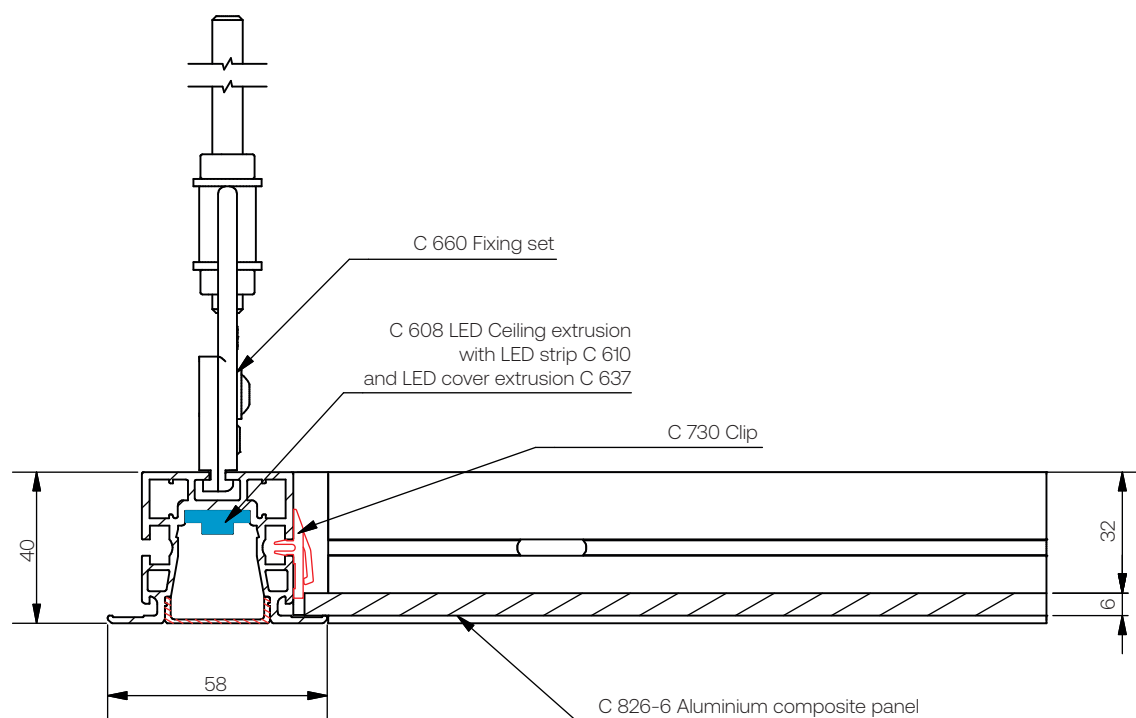
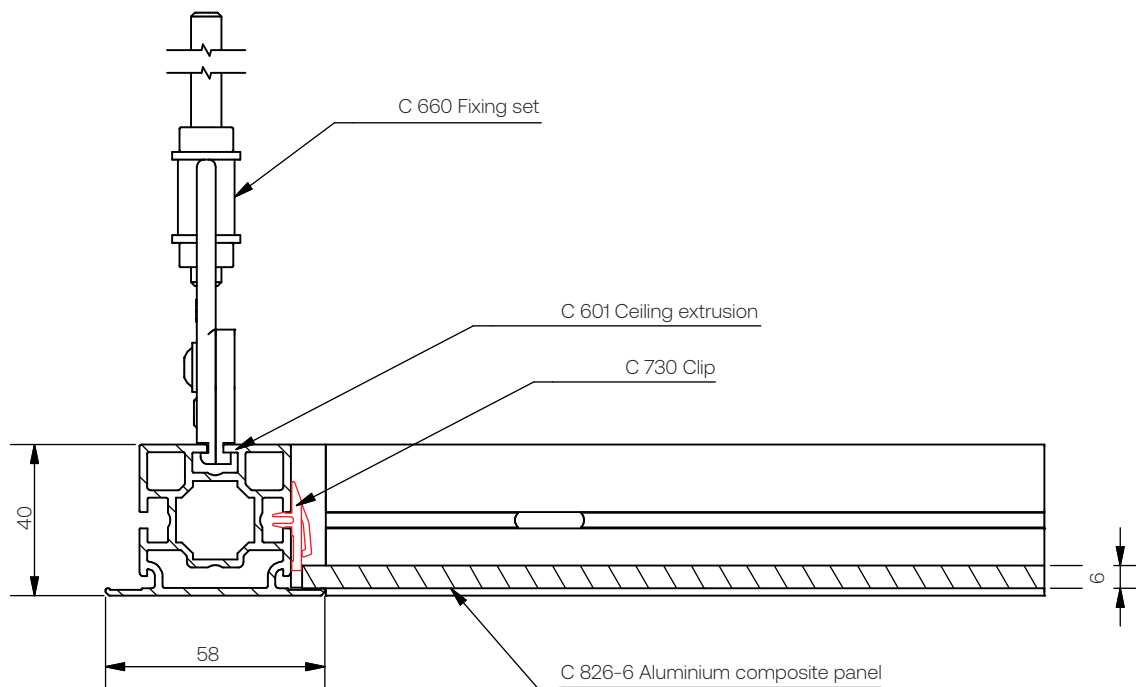




## Mounting honeycomb panel C 803 with fixing set C 660

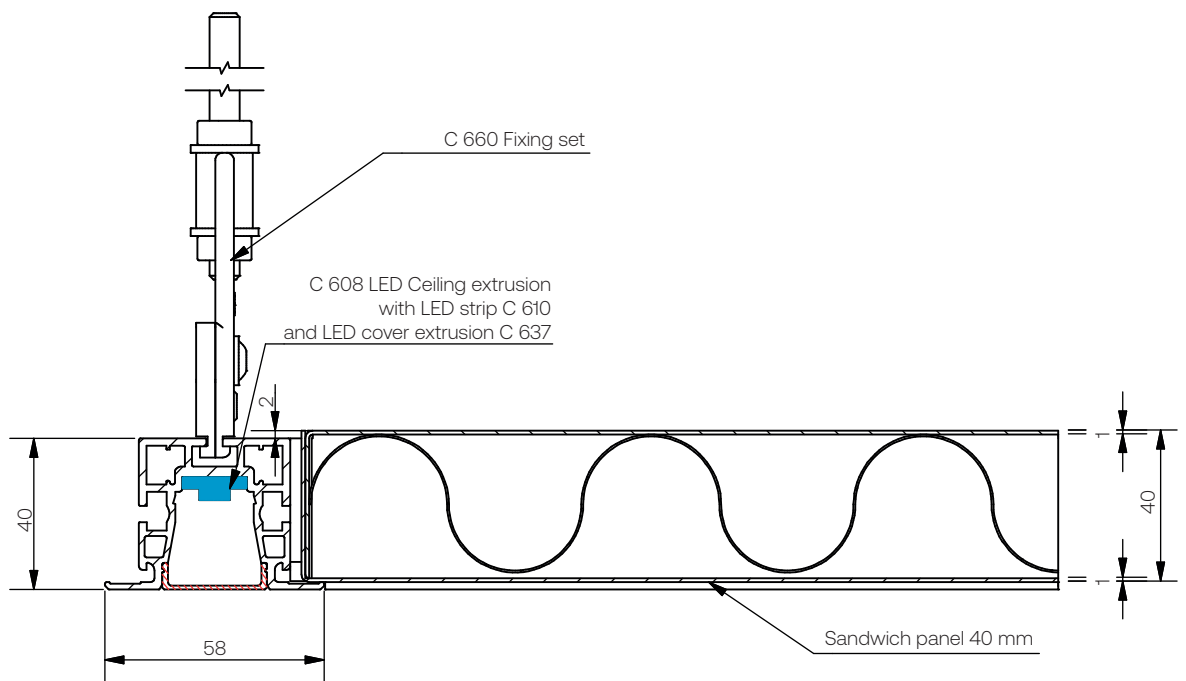
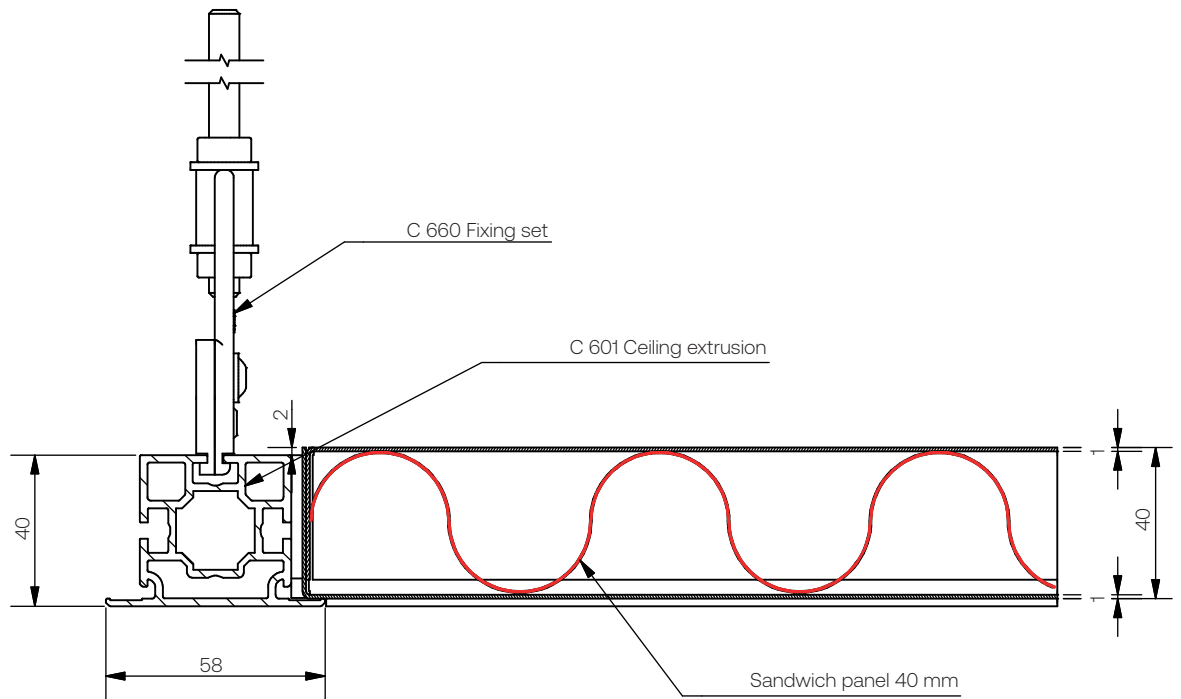


### Mounting aluminium composite panel C 826-6 with fixing set C 660

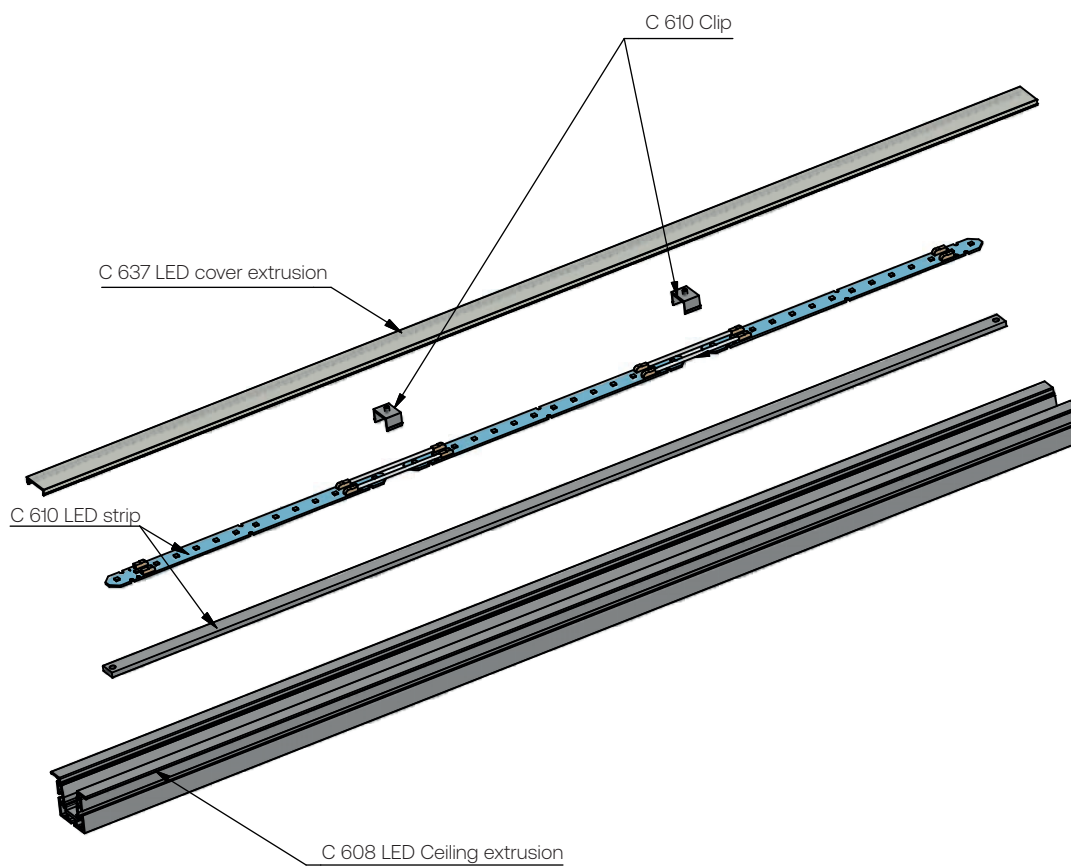
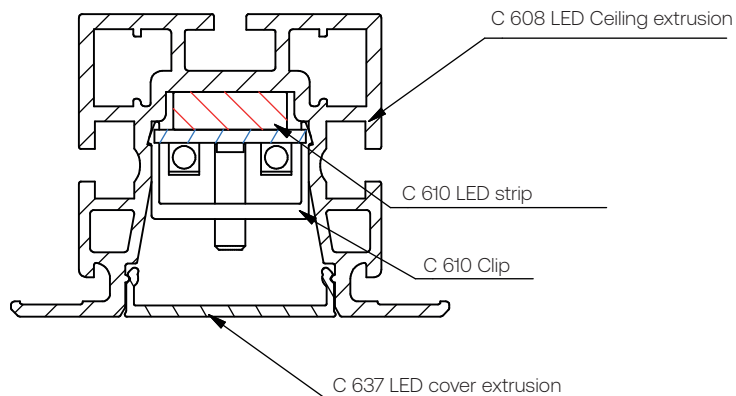




## Mounting sandwich panel 40 mm with fixing set C 660

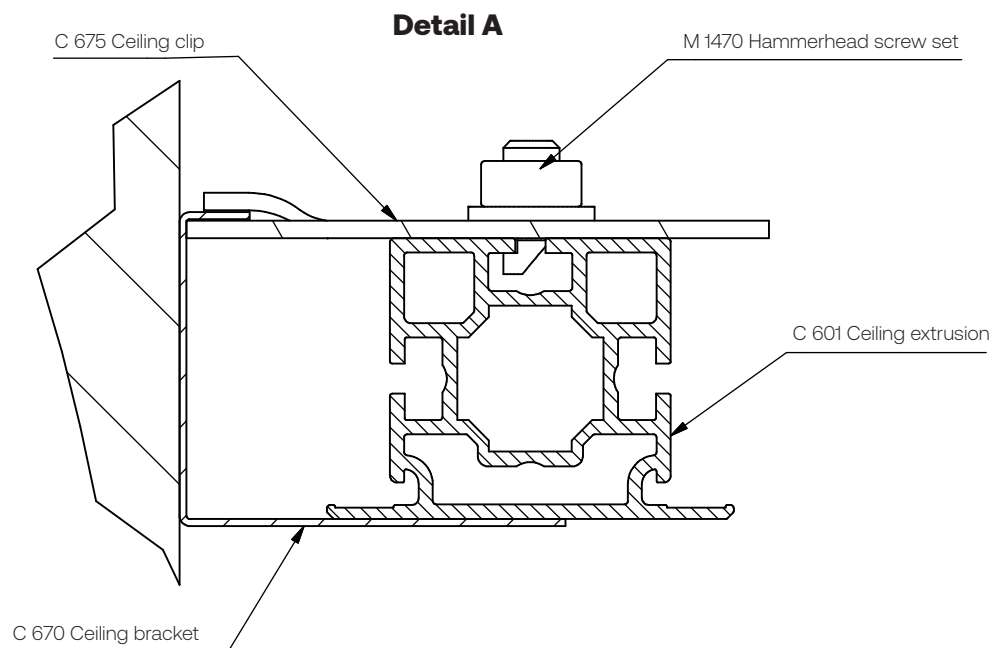
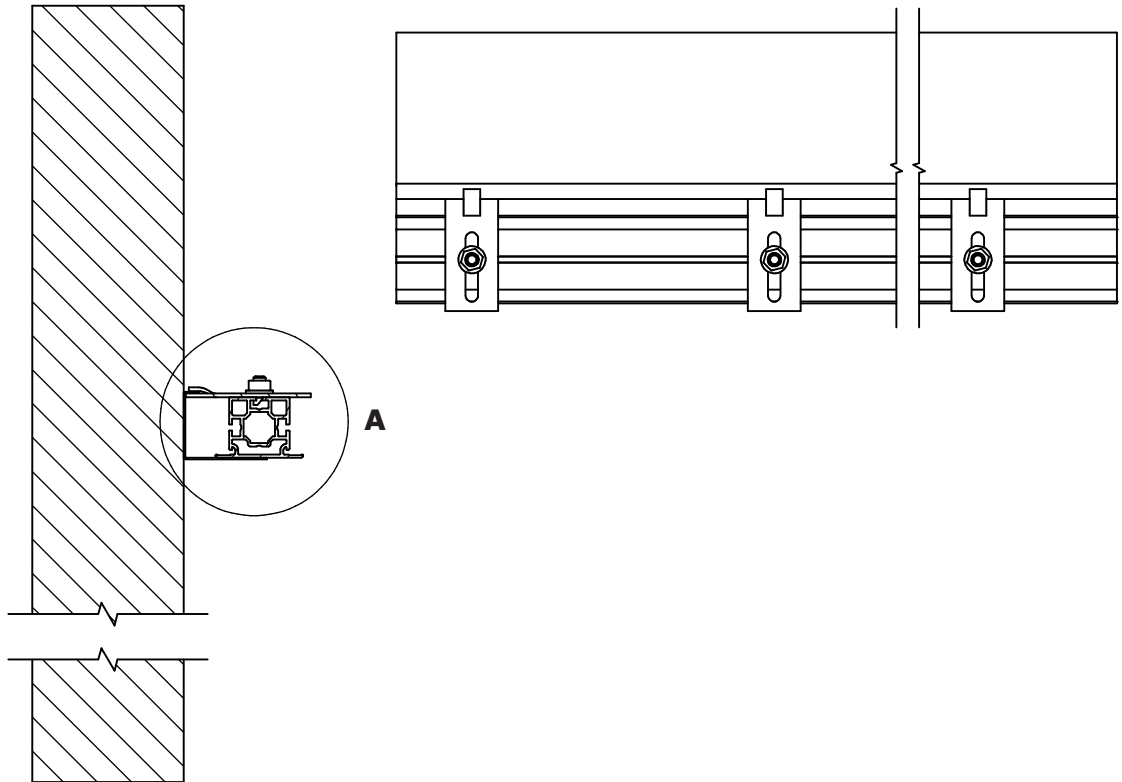


### Set up LED ceiling extrusions C 608

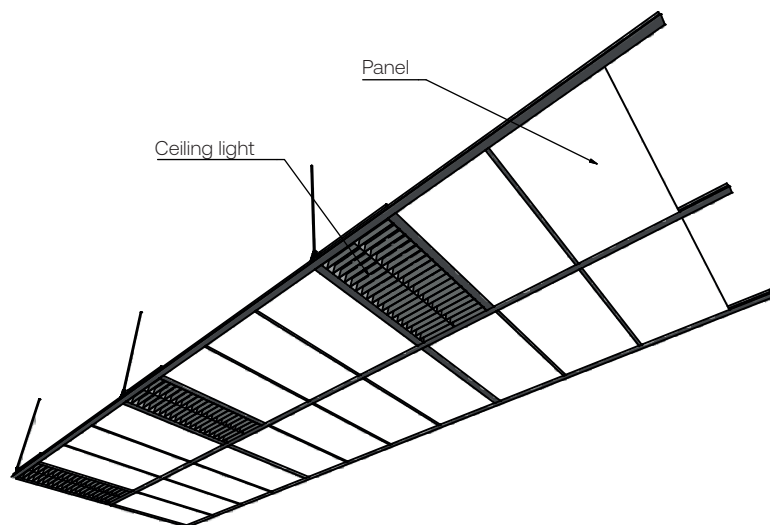
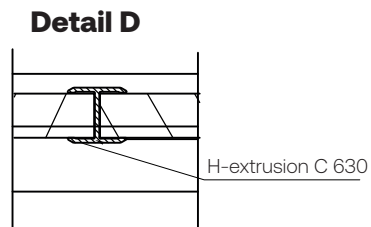
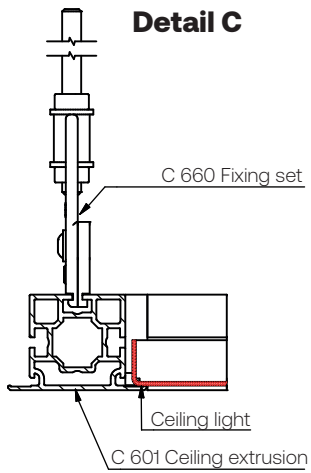
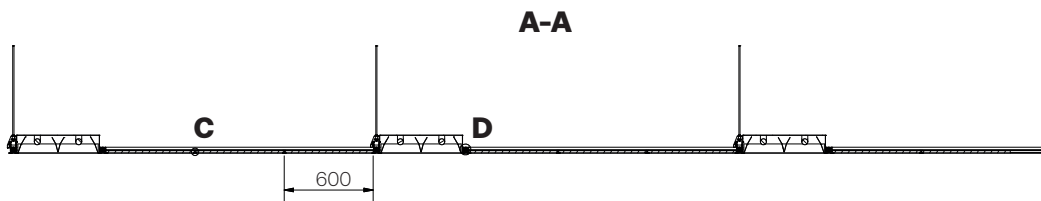
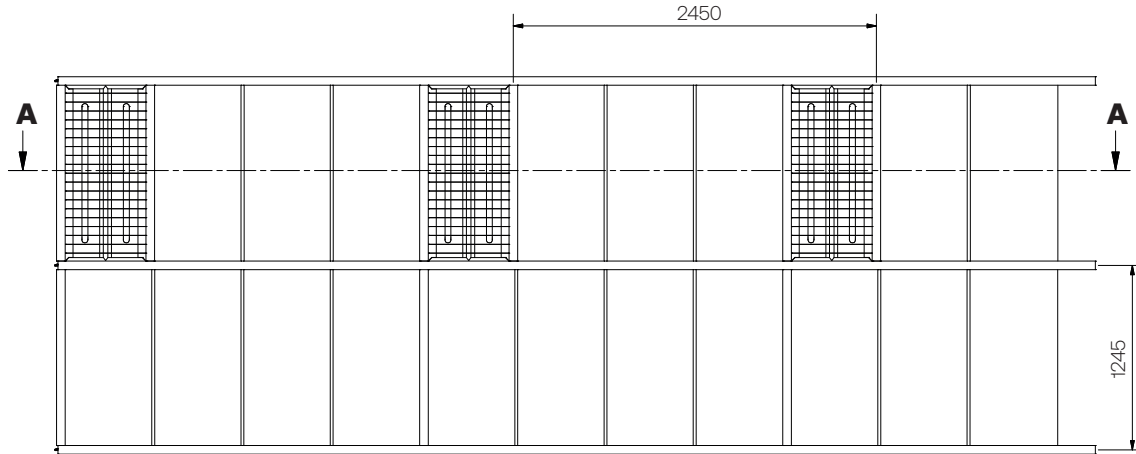




## Fixation to wall on site with ceiling bracket C 670

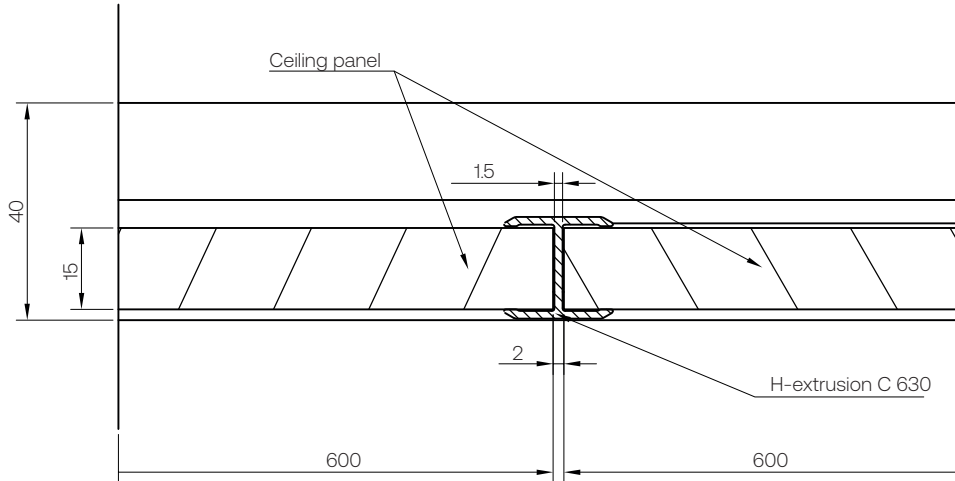


### Installation of ceiling light

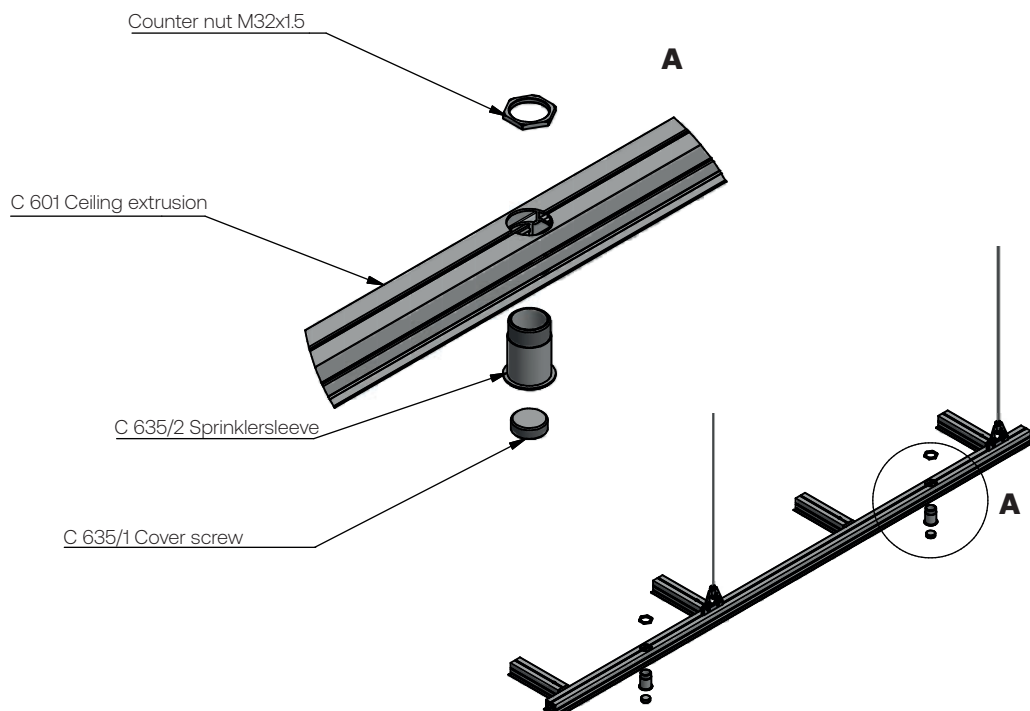




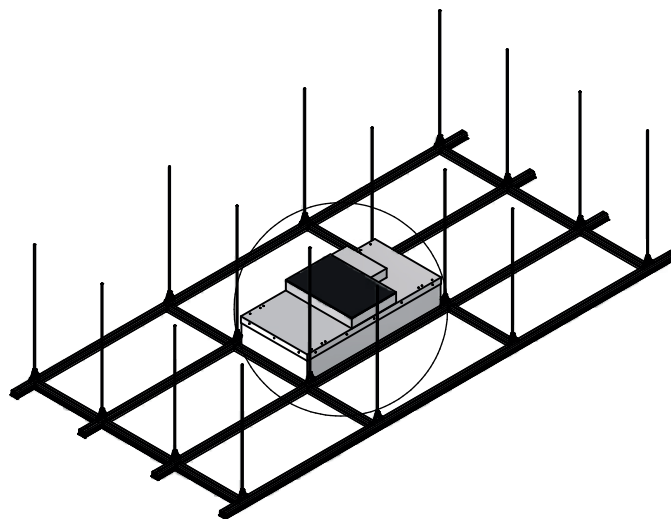
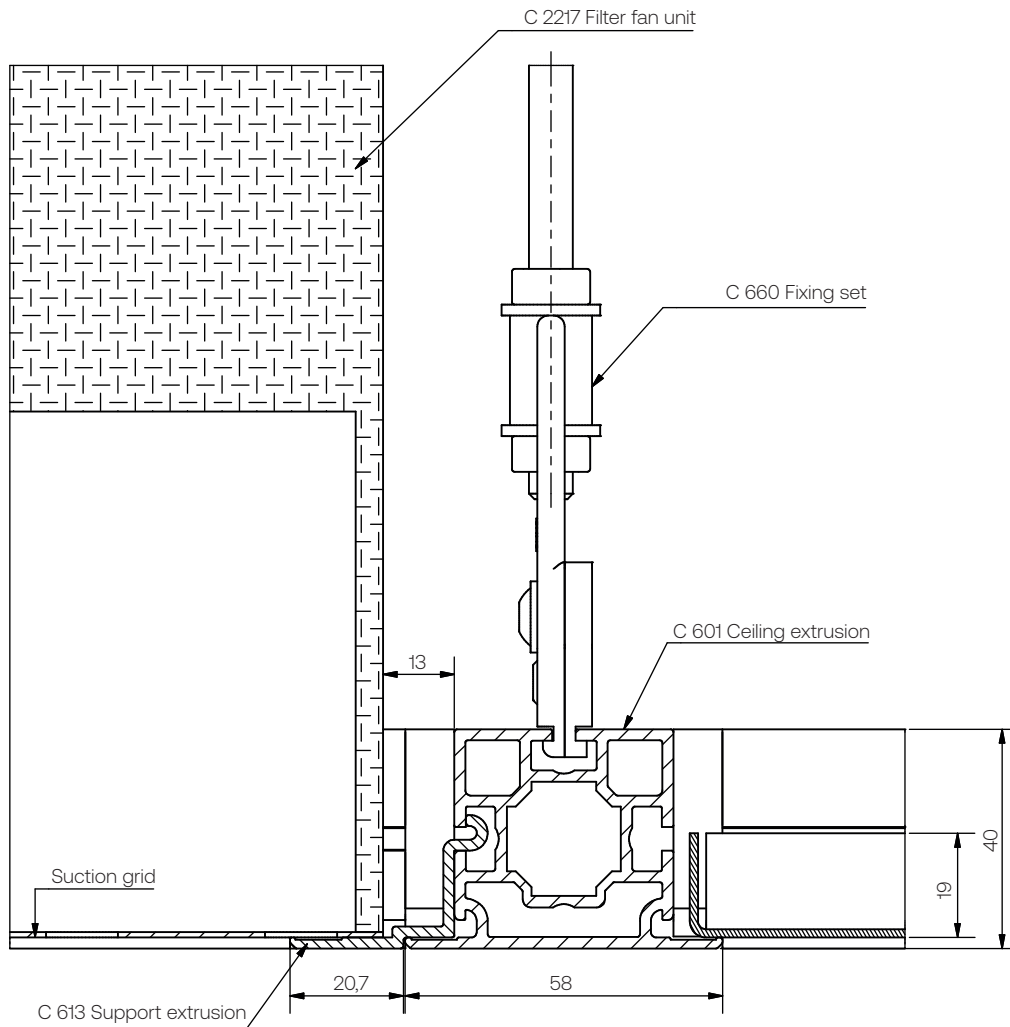
## Mounting connector h-extrusion C 630



## Mounting sprinklersleeve C 635



### Installation of filter fan unit with support extrusion C 613





**exhibition systems**  
**project solutions**  
**cleanroom solutions**





**octanorm** 

**OCTANORM®-Vertriebs-GmbH**

für Bauelemente

Raiffeisenstraße 39

70794 Filderstadt, Germany

**T** +49 711 77003-0

**E** [info@octanorm.de](mailto:info@octanorm.de)

**Nordic**

 [octanorm.se](http://octanorm.se)

**North America**

 [octanormna.com](http://octanormna.com)

**South Africa**

 [octanorm.co.za](http://octanorm.co.za)

**UK**

 [octanorm.co.uk](http://octanorm.co.uk)

 [octanorm.com](http://octanorm.com)